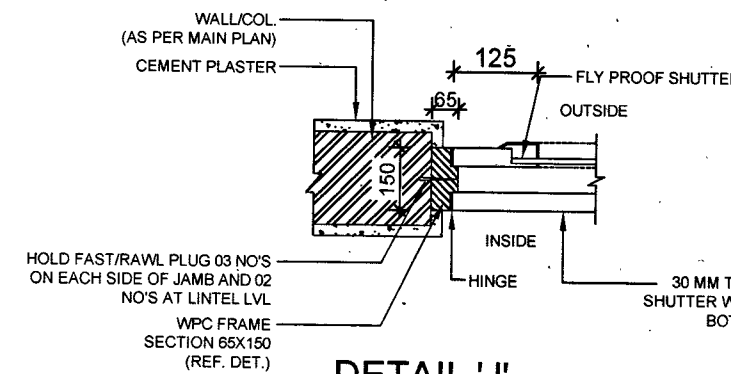
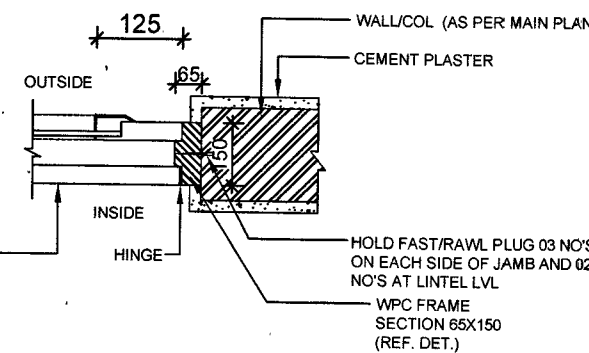


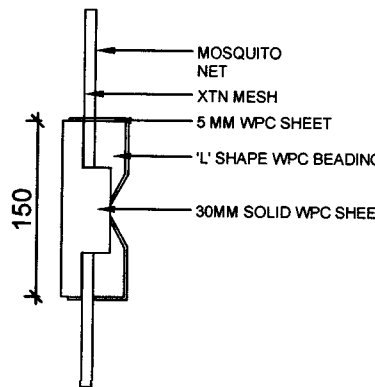
DETAIL 'G'



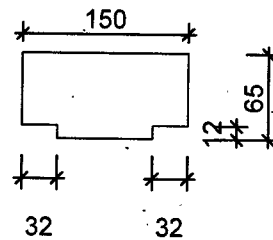
DETAIL 'J'



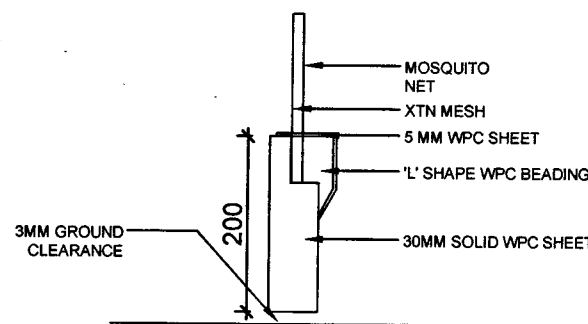
DETAIL 'K'



DETAIL AT 'H'



TYPICAL DETAIL OF WPC FRAME



DETAIL AT 'I'

SCHEDULE OF BUILDER'S HARDWARE

TYPE OF DOOR	SIZE OF DOOR	BUTT HINGES 100 LONG	TOWER BOLT 10 DIA 200 LONG	HANDLE 150 LONG	DOOR STOPPER	ALDROP BOLT 16MM DIA 300 LONG
D10	1000X2100	3	1	2	1	1
D10F	1000X2100	6	2	4	2	2
D12F	1200X2100	12	4	8	4	2
D15	1500X2100	6	2	4	2	1

NOTES:

- CONTRACTOR TO CHECK AND VERIFY ALL DIMENSION BEFORE EXECUTION OF WORK
- ALL DIMENSION ARE GIVEN IN M.M
- FIGURED DIMENSION SHALL BE FOLLOWED
- ALL FITTING/FIXING ARRANGEMENT SHALL BE PROVIDED AS PER MANUFACTURES INSTRUCTIONS

ARCH DRAWINGS PREPARED UNDER CONSULTANCY BY M/S THE DESIGN FACTORY, 293, CHHOTI BARANDARI PART-1 JALANDHAR,PUNJAB THE SAME ARE SIGNED BY US AS PER E-IN-C'S BRANCH POLICY LETTER NO.08/2017 ISSUED UNDER E2 WORKS (PPC)SUB DTE.DTE OF WORKS LETTER NO. A/00157/23-1/POL/E2W(PPC) DATED 02 JULY 2017

SL NO	DATE	DESCRIPTION	INITIAL
REVISION			

DETAILS OF WPC DOORS

DATE	13/03/2025	CHIEF ENGINEER JALANDHAR ZONE	SHEET NO
DRAWN			03
CHKD			03
SCALE	AS SHOWN	DRG NO : CEJZ / TD-93 / 2025	

CONSULTANTS:

 THE DESIGN FACTORY
 293 CHHOTI BARANDARI PART 1 - JALANDHAR +91 9876602949 thedesignfactory7@gmail.com

DIRECTOR (ARCH)
 for CHIEF ENGINEER